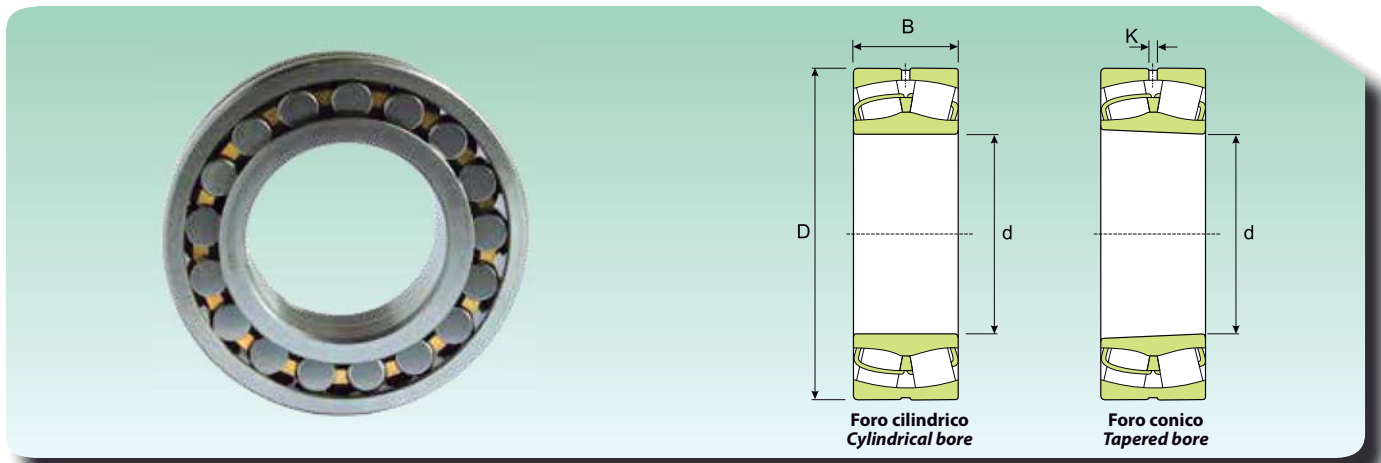
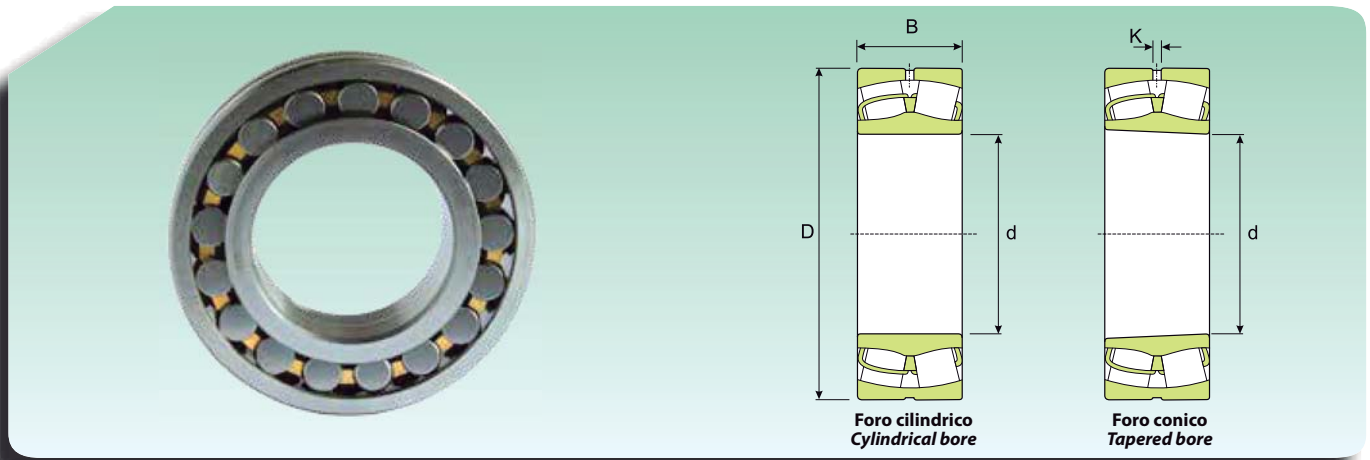


**CUSCINETTI ORIENTABILI A RULLI**  
**SELF-ALIGNING ROLLER BEARINGS**



Dimensioni (mm) Dimension (mm)				Coefficiente di carico (kN) Load rating (kN)		Velocità limite (giri/min) Speed limit (Rpm)		Peso (Kg) Weight (Kg)	Sigla Designation	
d (mm)	D (mm)	B (mm)	K (mm)	Dinamico Dynamic C	Statico Static C <sub>0</sub>	Lubrificazione Lubrication			Foro cilindrico Cylindrical bore	Foro Conico Tapered bore
						Grasso Grease	Olio Oil			
20	52	18	2	48	43	13005	15300	0.28	22205/20	-
25	52	18	2	48	43	13005	15300	0.26	22205	22205 K
	62	17	-	41	41	9180	10800	0.28	21305	-
30	62	20	2	63	59	10710	12600	0.29	22206	22206 K
	72	19	-	54	60	7650	9000	0.41	21306	21306 K
35	72	23	2	85	83	9180	10800	0.45	22207	22207 K
	80	21	-	64	71	7267.5	8550	0.55	21307	21307 K
40	80	23	3	95	88	8415	9900	0.53	22208	22208 K
	90	23	3	102	106	7267.5	8550	0.75	21308	21308 K
	90	33	3	147	137	6120	7200	1.05	22308	22308 K
45	85	23	3	100	96	7650	9000	0.58	22209	22209 K
	100	25	3	123	124	6502.5	7650	0.99	21309	21309 K
	100	36	3	179	179	5355	6300	1.4	22309	22309 K
50	90	23	3	102	106	7267.5	8550	0.63	22210	22210 K
	110	27	3	153	163	5737.5	6750	1.35	21310	21310 K
	110	40	3	216	220	4819.5	5670	1.9	22310	22310 K
55	100	25	3	123	124	6502.5	7650	0.84	22211	22211 K
	120	29	3	153	163	5737.5	6750	1.7	21311	21311 K
	120	43	3	265	274	4284	5040	2.45	22311	22311 K
60	110	28	3	153	163	5737.5	6750	1.15	22212	22212 K
	130	31	3	208	235	4819.5	5670	2.1	21312	21312 K
	130	46	4.5	304	328	4054.5	4770	3.1	22312	22312 K
65	100	35	2	129	170	4819.5	5670	0.95	24013	24013 K30
	120	31	3	189	212	5355	6300	1.55	22213	22213 K
	140	33	3	231	265	4590	5400	2.55	21313	21313 K
	140	48	4.5	333	353	3825	4500	3.75	22313	22313 K
70	125	31	3	204	223	5125.5	6030	1.55	22214	22214 K
	150	35	3	279	319	4284	5040	3.1	21314	21314 K
	150	51	4.5	392	421	3442.5	4050	4.55	22314	22314 K
75	115	40	3	170	227	4054.5	4770	1.55	24015	24015 K30
	130	31	3	208	235	4819.5	5670	1.7	22215	22215 K
	160	37	3	279	319	4284	5040	3.75	21315	21315 K
	160	55	4.5	431	466	3289.5	3870	5.55	22315	22315 K
80	140	33	3	231	265	4590	5400	2.1	22216	22216 K
	170	39	3	319	368	4054.5	4770	4.45	21316	21316 K
	170	58	4.5	480	529	3060	3600	6.6	22316	22316 K
85	150	36	3	279	319	4284	5040	2.65	22217	22217 K
	180	41	3	319	368	4054.5	4770	5.2	21317	21317 K
	180	60	4.5	539	608	2907	3420	7.65	22317	22317 K

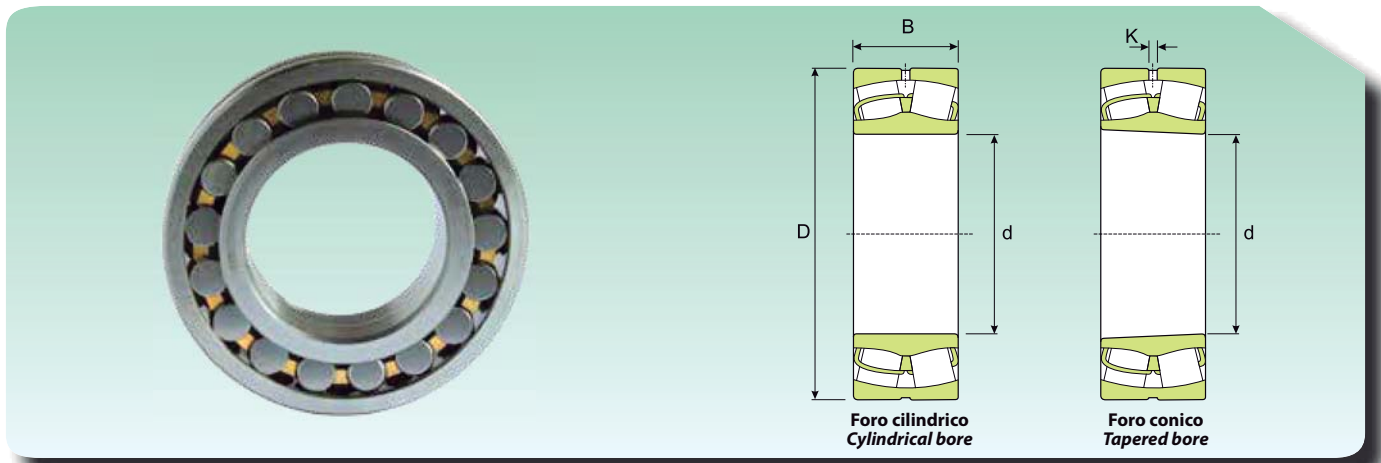
A richiesta disponibile con scanalatura circonferenziale a tre fori di lubrificazione sull'anello esterno.  
Under request available with circumferential groove and three lubrication noles in auter ring.

**CUSCINETTI ORIENTABILI A RULLI  
SELF-ALIGNING ROLLER BEARINGS**


Dimensioni (mm) Dimension (mm)				Coefficiente di carico (kN) Load rating (kN)		Velocità limite (giri/min) Speed limit (Rpm)		Peso (Kg) Weight (Kg)	Sigla Designation	
d (mm)	D (mm)	B (mm)	K (mm)	Dinamico Dynamic C	Statico Static C <sub>0</sub>	Lubrificazione Lubrication			Foro cilindrico Cylindrical bore	Foro Conico Tapered bore
						Grasso Grease	Olio Oil			
<b>90</b>	160	40	3	319	368	4054.5	4770	3.4	<b>22218</b>	<b>22218 K</b>
	160	52.4	3	348	431	2907	3420	4.65	<b>23218</b>	<b>23218 K</b>
	190	43	4.5	372	441	3672	4320	6.1	<b>21318</b>	<b>21318 K</b>
	190	64	6	598	681	2754	3240	9.05	<b>22318</b>	<b>22318 K</b>
<b>95</b>	170	43	4.5	372	441	3672	4320	4.15	<b>22219</b>	<b>22219 K</b>
	200	45	4.5	417	480	3442.5	4050	7.05	<b>21319</b>	<b>21319 K</b>
	200	67	6	657	750	2601	3060	10.5	<b>22319</b>	<b>22319 K</b>
<b>100</b>	150	50	3	279	407	3060	3600	3.15	<b>24020</b>	<b>24020 K30</b>
	165	52	3	358	480	3060	3600	4.55	<b>23120</b>	<b>23120 K</b>
	165	65	2	446	627	2448	2880	5.65	<b>24120</b>	<b>24120 K30</b>
	180	46	4.5	417	480	3442.5	4050	4.9	<b>22220</b>	<b>22220 K</b>
	180	60.3	4.5	466	588	2601	3060	6.85	<b>23220</b>	<b>23220 K</b>
	215	47	4.5	417	480	3442.5	4050	8.6	<b>21320</b>	<b>21320 K</b>
	215	73	6	799	931	2295	2700	13.5	<b>22320</b>	<b>22320 K</b>
<b>110</b>	170	45	3	304	431	3289.5	3870	3.8	<b>23022</b>	<b>23022 K</b>
	170	60	3	407	608	2754	3240	5	<b>24022</b>	<b>24022 K30</b>
	180	56	4.5	421	573	2754	3240	5.75	<b>23122</b>	<b>23122 K</b>
	180	69	3	510	735	2295	2700	7.1	<b>24122</b>	<b>24122 K30</b>
	200	53	4.5	549	627	3060	3600	7	<b>22222</b>	<b>22222 K</b>
	200	69.8	4.5	588	750	2448	2880	9.85	<b>23222</b>	<b>23222 K</b>
	240	80	7.5	931	1098	2142	2520	18.4	<b>22322</b>	<b>22322 K</b>
<b>120</b>	180	46	3	348	500	3060	3600	4.2	<b>23024</b>	<b>23024 K</b>
	180	60	3	421	657	2601	3060	5.45	<b>24024</b>	<b>24024 K30</b>
	200	62	4.5	500	681	2601	3060	8	<b>23124</b>	<b>23124 K</b>
	200	80	3	642	931	1989	2340	10.3	<b>24124</b>	<b>24124 K30</b>
	215	58	6	617	750	2907	3420	8.7	<b>22224</b>	<b>22224 K</b>
	215	76	4.5	681	911	2142	2520	12	<b>23224</b>	<b>23224 K</b>
	260	86	7.5	946	1098	1989	2340	23	<b>22324</b>	<b>22324 K</b>
	<b>130</b>	200	52	4.5	421	598	2754	3240	6	<b>23026</b>
200		69	3	529	799	2295	2700	8.05	<b>24026</b>	<b>24026 K30</b>
210		64	4.5	549	764	2448	2880	8.8	<b>23126</b>	<b>23126 K</b>
210		80	3	666	980	1836	2160	11	<b>24126</b>	<b>24126 K30</b>
230		64	6	720	911	2754	3240	11	<b>22226</b>	<b>22226 K</b>
230		80	4.5	764	1039	1989	2340	14.5	<b>23226</b>	<b>23226 K</b>
280		93	9	1098	1294	1836	2160	29	<b>22326</b>	<b>22326 K</b>
<b>140</b>		210	53	4.5	456	666	2601	3060	6.55	<b>23028</b>
	210	69	3	559	882	2142	2520	8.55	<b>24028</b>	<b>24028 K30</b>
	225	68	4.5	617	882	2142	2520	10.5	<b>23128</b>	<b>23128 K</b>
	225	85	4.5	750	1137	1836	2160	13.5	<b>24128</b>	<b>24128 K30</b>
	250	68	6	696	882	2448	2880	14	<b>22228</b>	<b>22228 K</b>
	250	88	6	897	1225	1836	2160	19	<b>23228</b>	<b>23228 K</b>
	300	102	9	1264	1529	1683	1980	36.5	<b>22328</b>	<b>22328 K</b>

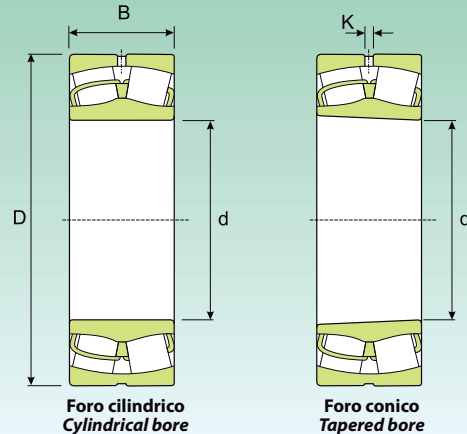
A richiesta disponibile con scanalatura circonferenziale a tre fori di lubrificazione sull'anello esterno.  
Under request available with circumferential groove and three lubrication noles in auter ring.

**CUSCINETTI ORIENTABILI A RULLI**  
**SELF-ALIGNING ROLLER BEARINGS**



Dimensioni (mm) Dimension (mm)				Coefficiente di carico (kN) Load rating (kN)		Velocità limite (giri/min) Speed limit (Rpm)		Peso (Kg) Weight (Kg)	Sigla Designation	
d (mm)	D (mm)	B (mm)	K (mm)	Dinamico Dynamic C	Statico Static C <sub>0</sub>	Lubrificazione Lubrication			Foro cilindrico Cylindrical bore	Foro Conico Tapered bore
						Grasso Grease	Olio Oil			
<b>150</b>	225	56	4.5	500	735	2448	2880	7.95	<b>23030</b>	<b>23030 K</b>
	225	75	3	642	1019	1989	2340	10.5	<b>24030</b>	<b>24030 K30</b>
	250	80	6	813	1176	1989	2340	16	<b>23130</b>	<b>23130 K</b>
	250	100	4.5	1000	1499	1683	1980	20	<b>24130</b>	<b>24130 K30</b>
	270	73	7.5	833	1058	2295	2700	18	<b>22230</b>	<b>22230 K</b>
	270	96	6	1058	1431	1683	1980	24.5	<b>23230</b>	<b>23230 K</b>
	320	108	9	1431	1725	1530	1800	43.5	<b>22330</b>	<b>22330 K</b>
<b>160</b>	240	60	6	573	862	2295	2700	9.7	<b>23032</b>	<b>23032 K</b>
	240	80	4.5	735	1176	1836	2160	13	<b>24032</b>	<b>24032 K30</b>
	270	86	7.5	960	1343	1836	2160	20.5	<b>23132</b>	<b>23132 K</b>
	270	109	4.5	1156	1725	1453.5	1710	25	<b>24132</b>	<b>24132 K30</b>
	290	80	7.5	980	1264	2142	2520	22.5	<b>22232</b>	<b>22232 K</b>
	290	104	7.5	1196	1627	1683	1980	31	<b>23232</b>	<b>23232 K</b>
	340	114	9	1568	1921	1453.5	1710	52	<b>22332</b>	<b>22332 K</b>
<b>170</b>	260	67	6	696	1039	2142	2520	13	<b>23034</b>	<b>23034 K</b>
	260	90	4.5	911	1431	1836	2160	17.5	<b>24034</b>	<b>24034 K30</b>
	280	88	7.5	1019	1470	1836	2160	22	<b>23134</b>	<b>23134 K</b>
	280	109	4.5	1196	1823	1453.5	1710	27.5	<b>24134</b>	<b>24134 K30</b>
	310	86	9	1098	1431	1989	2340	28.5	<b>22234</b>	<b>22234 K</b>
	310	110	7.5	1372	1891	1530	1800	37.5	<b>23234</b>	<b>23234 K</b>
	360	120	9	1725	2117	1377	1620	61	<b>22334</b>	<b>22334 K</b>
<b>180</b>	250	52	3	422	813	2142	2520	7.9	<b>23936</b>	<b>23936 K</b>
	280	74	7.5	813	1225	1989	2340	17	<b>23036</b>	<b>23036 K</b>
	280	100	4.5	1058	1695	1683	1980	23	<b>24036</b>	<b>24036 K30</b>
	300	96	7.5	1176	1725	1683	1980	28	<b>23136</b>	<b>23136 K</b>
	300	118	6	1372	2117	1300.5	1530	34.5	<b>24136</b>	<b>24136 K30</b>
	320	86	9	1156	1529	1989	2340	29.5	<b>22236</b>	<b>22236 K</b>
	320	112	7.5	1470	2078	1453.5	1710	39.5	<b>23236</b>	<b>23236 K</b>
	380	126	9	1960	2401	1300.5	1530	71.5	<b>22336</b>	<b>22336 K</b>
<b>190</b>	260	52	3	406	784	1989	2340	8.3	<b>23938</b>	<b>23938 K</b>
	290	75	7.5	848	1313	1836	2160	18	<b>23038</b>	<b>23038 K</b>
	290	100	4.5	1098	1764	1530	1800	24.5	<b>24038</b>	<b>24038 K30</b>
	320	104	7.5	1343	2038	1530	1800	35	<b>23138</b>	<b>23138 K</b>
	320	128	6	1568	2450	1224	1440	43	<b>24138</b>	<b>24138 K30</b>
	340	92	9	1245	1666	1836	2160	36.5	<b>22238</b>	<b>22238 K</b>
	340	120	9	1627	2352	1377	1620	48	<b>23238</b>	<b>23238 K</b>
	400	132	6	2078	2597	1224	1440	82.5	<b>22338</b>	<b>22338 K</b>
	<b>200</b>	280	60	4.5	535	1019	1836	2160	11.5	<b>23940</b>
310		82	7.5	980	1499	1683	1980	23.3	<b>23040</b>	<b>23040 K</b>
310		109	6	1264	2078	1453.5	1710	31	<b>24040</b>	<b>24040 K30</b>
340		112	9	1568	2313	1453.5	1710	43	<b>23140</b>	<b>23140 K</b>
340		140	6	1764	2744	1147.5	1350	53.5	<b>24140</b>	<b>24140 K30</b>
360		98	9	1431	1891	1683	1980	43.5	<b>22240</b>	<b>22240 K</b>
360		128	9	1823	2646	1300.5	1530	58	<b>23240</b>	<b>23240 K</b>
420		138	12	2274	2842	1147.5	1350	95	<b>22340</b>	<b>22340 K</b>

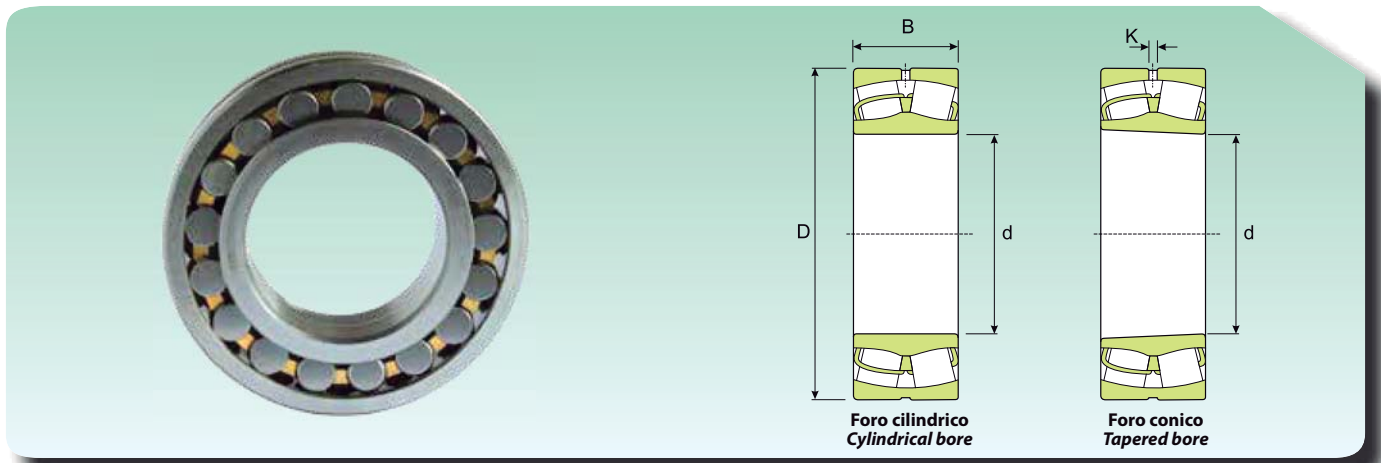
A richiesta disponibile con scanalatura circonferenziale a tre fori di lubrificazione sull'anello esterno.  
Under request available with circumferential groove and three lubrication noles in auter ring.

**CUSCINETTI ORIENTABILI A RULLI  
SELF-ALIGNING ROLLER BEARINGS**


Dimensioni (mm) Dimension (mm)				Coefficiente di carico (kN) Load rating (kN)		Velocità limite (giri/min) Speed limit (Rpm)		Peso (Kg) Weight (Kg)	Sigla Designation	
d (mm)	D (mm)	B (mm)	K (mm)	Dinamico Dynamic C	Statico Static C <sub>0</sub>	Lubrificazione Lubrication			Foro cilindrico Cylindrical bore	Foro Conico Tapered bore
						Grasso Grease	Olio Oil			
<b>220</b>	300	60	4.5	535	1058	1683	1980	12.5	<b>23944</b>	<b>23944 K</b>
	340	90	7.5	1196	1823	1530	1800	30.5	<b>23044</b>	<b>23044 K</b>
	340	118	6	1529	2548	1300.5	1530	40	<b>24044</b>	<b>24044 K30</b>
	370	120	9	1764	2695	1300.5	1530	53.5	<b>23144</b>	<b>23144 K</b>
	370	150	6	2078	3283	1071	1260	67	<b>24144</b>	<b>24144 K30</b>
	400	108	9	1725	2313	1530	1800	60.5	<b>22244</b>	<b>22244 K</b>
	400	144	9	2313	3381	1147.5	1350	81.5	<b>23244</b>	<b>23244 K</b>
	460	145	12	2646	3381	1071	1260	120	<b>22344</b>	<b>22344 K</b>
<b>240</b>	320	60	4.5	553	1137	1530	1800	13.5	<b>23948</b>	<b>23948 K</b>
	360	92	7.5	1264	2038	1453.5	1710	33.5	<b>23048</b>	<b>23048 K</b>
	360	118	6	1568	2646	1224	1440	43	<b>24048</b>	<b>24048 K30</b>
	400	128	9	2038	3136	1224	1440	66.5	<b>23148</b>	<b>23148 K</b>
	400	160	6	2352	3822	994.5	1170	83	<b>24148</b>	<b>24148 K30</b>
	440	120	9	2156	2940	1377	1620	83	<b>22248</b>	<b>22248 K</b>
	440	160	9	2842	4214	994.5	1170	110	<b>23248</b>	<b>23248 K</b>
	500	155	12	3038	3920	994.5	1170	155	<b>22348</b>	<b>22348 K</b>
<b>260</b>	360	75	4.5	862	1764	1453.5	1710	23.5	<b>23952</b>	<b>23952 K</b>
	400	104	7.5	1568	2499	1300.5	1530	48.5	<b>23052</b>	<b>23052 K</b>
	400	140	6	1999	3381	1071	1260	65.5	<b>24052</b>	<b>24052 K30</b>
	440	144	9	2499	3822	1071	1260	90.5	<b>23152</b>	<b>23152 K</b>
	440	180	6	2940	4704	918	1080	110	<b>24152</b>	<b>24152 K30</b>
	480	130	12	2597	3479	1224	1440	110	<b>22252</b>	<b>22252 K</b>
	480	174	12	3185	4655	918	1080	140	<b>23252</b>	<b>23252 K</b>
	540	165	12	3479	4459	841.5	990	190	<b>22352</b>	<b>22352 K</b>
<b>280</b>	380	75	6	828	1725	1300.5	1530	25	<b>23956</b>	<b>23956 K</b>
	420	106	9	1695	2793	1224	1440	52.5	<b>23056</b>	<b>23056 K</b>
	420	140	6	2117	3724	1071	1260	69.5	<b>24056</b>	<b>24056 K30</b>
	460	146	9	2597	4165	994.5	1170	97	<b>23156</b>	<b>23156 K</b>
	460	180	7.5	3038	4998	841.5	990	120	<b>24156</b>	<b>24156 K30</b>
	500	130	12	2646	3675	1147.5	1350	115	<b>22256</b>	<b>22256 K</b>
	500	176	12	3185	4802	841.5	990	150	<b>23256</b>	<b>23256 K</b>
	580	175	12	3920	5096	841.5	990	235	<b>22356</b>	<b>22356 K</b>
<b>300</b>	380	90	-	620	1560	1150	1350	16.5	<b>23860</b>	<b>23860 K</b>
	420	90	6	1176	2450	1224	1440	39.5	<b>23960</b>	<b>23960 K</b>
	460	118	9	2078	3381	1147.5	1350	71.5	<b>23060</b>	<b>23060 K</b>
	460	160	7.5	2646	4655	918	1080	97	<b>24060</b>	<b>24060 K30</b>
	500	160	9	3136	4998	918	1080	125	<b>23160</b>	<b>23160 K</b>
	500	200	7.5	3675	6174	765	900	160	<b>24160</b>	<b>24160 K30</b>
	540	140	12	3087	4165	1071	1260	145	<b>22260</b>	<b>22260 K</b>
	540	192	12	3822	5733	765	900	190	<b>23260</b>	<b>23260 K</b>
<b>320</b>	440	90	6	1401	2646	1147.5	1350	42	<b>23964</b>	<b>23964 K</b>
	480	121	9	2195	3724	1071	1260	78	<b>23064</b>	<b>23064 K</b>
	480	160	7.5	2793	4998	918	1080	100	<b>24064</b>	<b>24064 K30</b>
	540	176	12	3675	5880	841.5	990	165	<b>23164</b>	<b>23164 K</b>
	540	218	9	4165	6958	688.5	810	210	<b>24164</b>	<b>24164 K30</b>
	580	150	12	3528	4802	994.5	1170	175	<b>22264</b>	<b>22264 K</b>
	580	208	12	4312	6566	726.75	855	240	<b>23264</b>	<b>23264 K</b>

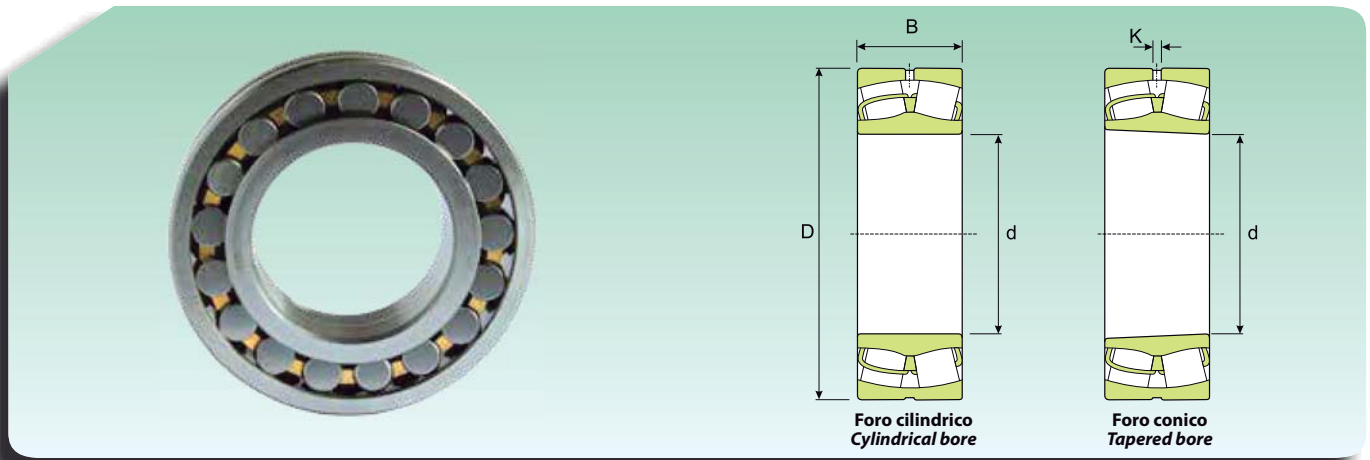
A richiesta disponibile con scanalatura circonferenziale a tre fori di lubrificazione sull'anello esterno.  
Under request available with circumferential groove and three lubrication noles in outer ring.

**CUSCINETTI ORIENTABILI A RULLI**  
**SELF-ALIGNING ROLLER BEARINGS**



Dimensioni (mm) Dimension (mm)				Coefficiente di carico (KN) Load rating (KN)		Velocità limite (giri/min) Speed limit (Rpm)		Peso (Kg) Weight (Kg)	Sigla Designation	
d (mm)	D (mm)	B (mm)	K (mm)	Dinamico Dynamic C	Statico Static C <sub>0</sub>	Lubrificazione Lubrication			Foro cilindrico Cylindrical bore	Foro Conico Tapered bore
						Grasso Grease	Olio Oil			
<b>340</b>	460	90	6	1431	2744	1071	1260	45.5	<b>23968</b>	<b>23968 K</b>
	520	133	12	2646	4459	994.5	1170	105	<b>23068</b>	<b>23068 K</b>
	520	180	9	3381	6076	841.5	990	140	<b>24068</b>	<b>24068 K30</b>
	580	190	12	4165	6664	765	900	210	<b>23168</b>	<b>23168 K</b>
	580	243	9	5194	8477	650.25	765	280	<b>24168</b>	<b>24168 K30</b>
	620	224	12	4998	7644	612	720	295	<b>23268</b>	<b>23268 K</b>
<b>360</b>	480	90	6	1372	2695	994.5	1170	46	<b>23972</b>	<b>23972 K</b>
	540	134	12	2695	4704	918	1080	110	<b>23072</b>	<b>23072 K</b>
	540	180	9	3479	6419	765	900	145	<b>24072</b>	<b>24072 K30</b>
	600	192	12	4214	6811	765	900	220	<b>23172</b>	<b>23172 K</b>
	600	243	9	5488	9114	612	720	280	<b>24172</b>	<b>24172 K30</b>
	650	170	12	4214	6076	650.25	765	255	<b>22272</b>	<b>22272 K</b>
650	232	12	5292	8134	573.75	675	335	<b>23272</b>	<b>23272 K</b>	
<b>380</b>	520	106	7.5	1921	3724	918	1080	69	<b>23976</b>	<b>23976 K</b>
	560	135	12	2842	4900	918	1080	115	<b>23076</b>	<b>23076 K</b>
	560	180	9	3528	6664	726.75	855	150	<b>24076</b>	<b>24076 K30</b>
	620	194	12	4312	6958	765	900	230	<b>23176</b>	<b>23176 K</b>
	620	243	9	5586	9604	650.25	765	300	<b>24176</b>	<b>24176 K30</b>
	680	240	12	5733	8967	573.75	675	375	<b>23276</b>	<b>23276 K</b>
<b>400</b>	540	106	7.5	1960	3822	918	1080	71	<b>23980</b>	<b>23980 K</b>
	600	148	12	3185	5586	841.5	990	150	<b>23080</b>	<b>23080 K</b>
	600	200	12	4214	7840	688.5	810	205	<b>24080</b>	<b>24080 K30</b>
	650	200	12	4557	7497	726.75	855	265	<b>23180</b>	<b>23180 K</b>
	650	250	12	6076	10388	612	720	340	<b>24180</b>	<b>24180 K30</b>
	720	256	12	6419	10192	512.55	603	450	<b>23280</b>	<b>23280 K</b>
820	243	12	7350	10192	573.75	675	650	<b>22380</b>	<b>22380 K</b>	
<b>420</b>	560	106	9	1999	4067	841.5	990	74.5	<b>23984</b>	<b>23984 K</b>
	620	150	12	3332	5880	841.5	990	155	<b>23084</b>	<b>23084 K</b>
	620	200	12	4312	8134	688.5	810	210	<b>24084</b>	<b>24084 K30</b>
	700	224	12	5488	9114	688.5	810	350	<b>23184</b>	<b>23184 K</b>
	700	280	12	7203	12348	535.5	630	445	<b>24184</b>	<b>24184 K30</b>
	760	272	12	7203	11368	481.95	567	535	<b>23284</b>	<b>23284 K</b>
<b>440</b>	600	118	9	2401	4802	765	900	99.5	<b>23988</b>	<b>23988 K</b>
	650	157	12	3577	6419	765	900	180	<b>23088</b>	<b>23088 K</b>
	650	212	12	4704	8967	650.25	765	245	<b>24088</b>	<b>24088 K30</b>
	720	226	12	5880	9800	650.25	765	360	<b>23188</b>	<b>23188 K</b>
	720	280	12	7350	12936	535.5	630	460	<b>24188</b>	<b>24188 K30</b>
	790	280	12	7644	12250	459	540	590	<b>23288</b>	<b>23288 K</b>
<b>460</b>	580	118	6	1754	4802	841.5	990	75.5	<b>24892</b>	<b>24892 K30</b>
	620	118	9	2450	4900	765	900	105	<b>23992</b>	<b>23992 K</b>
	680	163	12	3822	6811	726.75	855	205	<b>23092</b>	<b>23092 K</b>
	680	218	12	5096	9800	612	720	275	<b>24092</b>	<b>24092 K30</b>
	760	240	12	6272	10584	612	720	440	<b>23192</b>	<b>23192 K</b>
	760	300	12	8134	14308	512.55	603	560	<b>24192</b>	<b>24192 K30</b>
	830	296	12	8330	13426	428.4	504	695	<b>23292</b>	<b>23292 K</b>

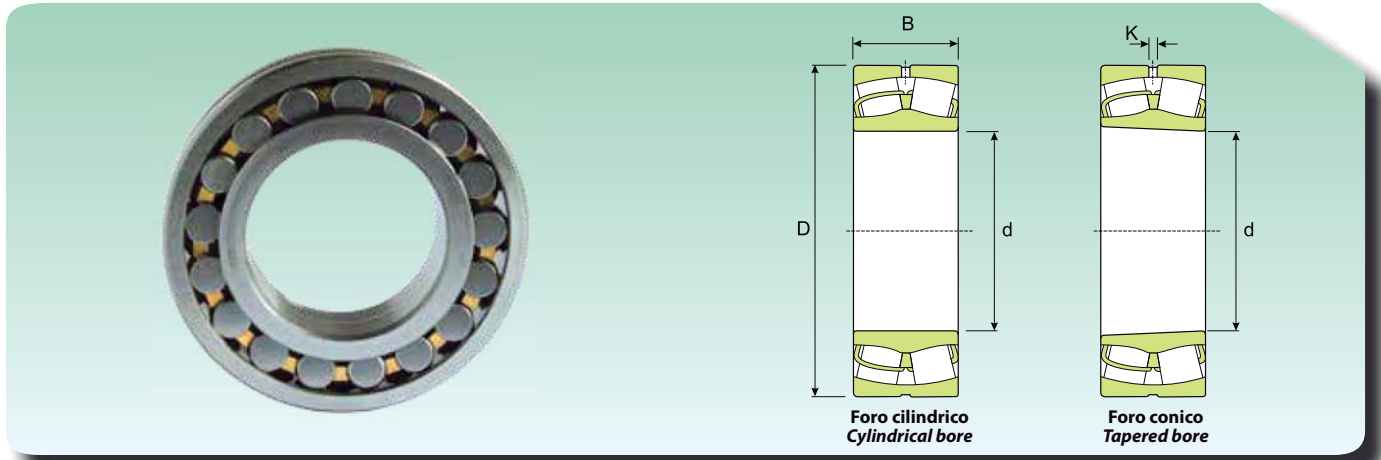
A richiesta disponibile con scanalatura circonferenziale a tre fori di lubrificazione sull'anello esterno.  
Under request available with circumferential groove and three lubrication noles in auter ring.

**CUSCINETTI ORIENTABILI A RULLI  
SELF-ALIGNING ROLLER BEARINGS**


Dimensioni (mm) Dimension (mm)				Coefficiente di carico (kN) Load rating (kN)		Velocità limite (giri/min) Speed limit (Rpm)		Peso (Kg) Weight (Kg)	Sigla Designation	
d (mm)	D (mm)	B (mm)	K (mm)	Dinamico Dynamic C	Statico Static C <sub>0</sub>	Lubrificazione Lubrication			Foro cilindrico Cylindrical bore	Foro Conico Tapered bore
						Grasso Grease	Olio Oil			
<b>480</b>	600	90	7.5	1411	3675	792	990	61	<b>23896</b>	<b>23896 K</b>
	650	128	7.5	2842	5586	765	900	125	<b>23996</b>	<b>23996 K</b>
	700	165	9	3822	6664	726.75	855	215	<b>23096</b>	<b>23096 K</b>
	700	218	12	5194	10192	573.75	675	285	<b>24096</b>	<b>24096 K30</b>
	790	248	12	6811	11760	573.75	675	485	<b>23196</b>	<b>23196 K</b>
	790	308	12	8820	15288	481.95	567	605	<b>24196</b>	<b>24196 K30</b>
	870	310	12	9114	14700	405.45	477	800	<b>23296</b>	<b>23296 K</b>
<b>500</b>	620	90	7.5	1450	3920	900	720	62	<b>238/500</b>	<b>238/500 K</b>
	670	128	7.5	2842	5880	726.75	855	130	<b>239/500</b>	<b>239/500 K</b>
	720	167	12	4067	7644	688.5	810	225	<b>230/500</b>	<b>230/500 K</b>
	720	218	12	5390	10780	535.5	630	295	<b>240/500</b>	<b>240/500 K30</b>
	830	264	12	7497	12642	535.5	630	580	<b>231/500</b>	<b>231/500 K</b>
	830	325	12	9604	16660	459	540	700	<b>241/500</b>	<b>241/500 K30</b>
	920	336	12	10388	16954	382.5	450	985	<b>232/500</b>	<b>232/500 K</b>
<b>530</b>	650	118	7.5	1803	5194	726.75	855	86	<b>248/530</b>	<b>248/530 K30</b>
	710	136	12	3136	6566	688.5	810	155	<b>239/530</b>	<b>239/530 K</b>
	780	185	12	4998	9114	612	720	310	<b>230/530</b>	<b>230/530 K</b>
	780	250	12	6566	12936	512.55	603	410	<b>240/530</b>	<b>240/530 K30</b>
	870	272	12	7987	13720	512.55	603	645	<b>231/530</b>	<b>231/530 K</b>
	870	335	12	10388	18620	428.4	504	830	<b>241/530</b>	<b>241/530 K30</b>
	980	355	12	10878	19992	367.2	432	1200	<b>232/530</b>	<b>232/530 K</b>
<b>560</b>	750	140	12	3381	7056	650.25	765	175	<b>239/560</b>	<b>239/560 K</b>
	820	195	12	5488	9996	573.75	675	355	<b>230/560</b>	<b>230/560 K</b>
	820	258	12	7203	14308	481.95	567	465	<b>240/560</b>	<b>240/560 K30</b>
	920	280	12	8967	15680	481.95	567	740	<b>231/560</b>	<b>231/560 K</b>
	920	355	12	11760	21168	382.5	450	985	<b>241/560</b>	<b>241/560 K30</b>
	1030	365	12	11270	21560	328.95	387	1350	<b>232/560</b>	<b>232/560 K</b>
<b>600</b>	800	150	12	3822	8134	573.75	675	220	<b>239/600</b>	<b>239/600 K</b>
	870	200	12	5880	11172	535.5	630	405	<b>230/600</b>	<b>230/600 K</b>
	870	272	12	7987	16660	428.4	504	520	<b>240/600</b>	<b>240/600 K30</b>
	980	300	12	9996	17640	428.4	504	895	<b>231/600</b>	<b>231/600 K</b>
	980	375	12	11270	23128	367.2	432	1200	<b>241/600</b>	<b>241/600 K30</b>
	1090	388	12	12838	24990	306	360	1600	<b>232/600</b>	<b>232/600 K</b>
<b>630</b>	780	112	9	2146	5978	573.75	675	120	<b>238/630</b>	<b>238/630 K</b>
	850	165	12	4557	9604	535.5	630	280	<b>239/630</b>	<b>239/630 K</b>
	920	212	12	6566	12250	512.55	603	485	<b>230/630</b>	<b>230/630 K</b>
	920	290	12	8624	17640	405.45	477	645	<b>240/630</b>	<b>240/630 K30</b>
	1030	315	12	10290	20384	405.45	477	1050	<b>231/630</b>	<b>231/630 K</b>
	1030	400	12	12446	26460	344.25	405	1400	<b>241/630</b>	<b>241/630 K30</b>
<b>670</b>	820	112	9	2205	6272	535.5	630	130	<b>238/670</b>	<b>238/670 K</b>
	820	150	9	3048	9310	535.5	630	172	<b>248/670</b>	-
	900	170	12	4900	10584	512.55	603	315	<b>239/670</b>	<b>239/670 K</b>
	980	230	12	7497	14308	459	540	600	<b>230/670</b>	<b>230/670 K</b>
	980	308	12	9800	19992	382.5	450	790	<b>240/670</b>	<b>240/670 K30</b>
	1090	336	12	10682	21952	382.5	450	1250	<b>231/670</b>	<b>231/670 K</b>

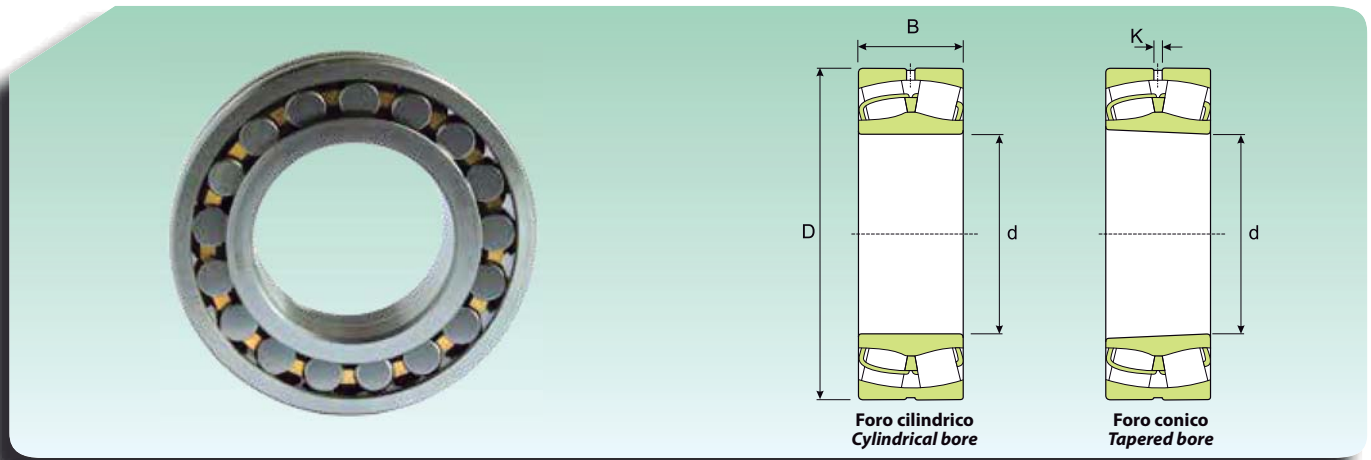
A richiesta disponibile con scanalatura circonferenziale a tre fori di lubrificazione sull'anello esterno.  
Under request available with circumferential groove and three lubrication holes in outer ring.

**CUSCINETTI ORIENTABILI A RULLI**  
**SELF-ALIGNING ROLLER BEARINGS**



Dimensioni (mm) Dimension (mm)				Coefficiente di carico (KN) Load rating (KN)		Velocità limite (giri/min) Speed limit (Rpm)		Peso (Kg) Weight (Kg)	Sigla Designation	
d (mm)	D (mm)	B (mm)	K (mm)	Dinamico Dynamic C	Statico Static C <sub>0</sub>	Lubrificazione Lubrication			Foro cilindrico Cylindrical bore	Foro Conico Tapered bore
						Grasso Grease	Olio Oil			
<b>670</b>	1090	412	12	13524	28420	306	360	1600	<b>241/670</b>	<b>241/670 K30</b>
	1220	438	12	15092	29890	275.4	324		2270	<b>232/670</b>
<b>710</b>	870	118	12	2528	7350	512.55	603	153	<b>238/710</b>	-
	950	180	12	5488	11760	459	540	365	<b>239/710</b>	<b>239/710 K</b>
	950	243	12	6664	15288	382.5	450	495	<b>249/710</b>	<b>249/710 K30</b>
	1030	236	12	8134	15974	428.4	504	670	<b>230/710</b>	<b>230/710 K</b>
	1030	315	12	10388	22344	344.25	405	895	<b>240/710</b>	<b>240/710 K30</b>
	1150	345	12	11956	25480	344.25	405	1450	<b>231/710</b>	<b>231/710 K</b>
	1150	438	12	14896	31850	290.7	342	1900	<b>241/710</b>	<b>241/710 K30</b>
1280	450	12	17248	33810	244.8	288	2610	<b>232/710</b>	<b>232/710 K</b>	
<b>750</b>	920	128	12	2871	8330	459	540	180	<b>238/750</b>	<b>238/750 K</b>
	1000	185	12	5880	12936	428.4	504	420	<b>239/750</b>	<b>239/750 K</b>
	1000	250	12	7497	17640	367.2	432	560	<b>249/750</b>	<b>249/750 K30</b>
	1090	250	12	9457	18228	405.45	477	795	<b>230/750</b>	<b>230/750 K</b>
	1090	335	12	11564	24500	328.95	387	1065	<b>240/750</b>	<b>240/750 K30</b>
	1220	365	12	13524	28420	328.95	387	1700	<b>231/750</b>	<b>231/750 K</b>
	1220	475	12	16954	36750	275.4	324	2100	<b>241/750</b>	<b>241/750 K30</b>
	1360	475	12	18326	35770	229.5	270	3050	<b>232/750</b>	<b>232/750 K</b>
<b>800</b>	980	180	12	4057	12642	428.4	504	300	<b>248/800</b>	<b>248/800 K30</b>
	1060	195	12	6272	14014	405.45	477	470	<b>239/800</b>	<b>239/800 K</b>
	1060	258	12	7840	18914	328.95	387	640	<b>249/800</b>	<b>249/800 K30</b>
	1150	258	12	9800	19600	367.2	432	895	<b>230/800</b>	<b>230/800 K</b>
	1150	345	12	12642	27930	306	360	1200	<b>240/800</b>	<b>240/800 K30</b>
	1280	375	12	14504	30870	306	360	1920	<b>231/800</b>	<b>231/800 K</b>
	1280	475	12	18032	39690	244.8	288	2300	<b>241/800</b>	<b>241/800 K30</b>
<b>850</b>	1030	136	12	3273	9800	405.45	477	240	<b>238/850</b>	<b>238/850 K</b>
	1120	200	12	6811	15288	367.2	432	560	<b>239/850</b>	<b>239/850 K</b>
	1120	272	12	9114	22344	306	360	740	<b>249/850</b>	<b>249/850 K30</b>
	1220	272	12	9183	21168	344.25	405	1050	<b>230/850</b>	<b>230/850 K</b>
	1220	365	12	12446	30870	275.4	324	1410	<b>240/850</b>	<b>240/850 K30</b>
	1360	400	12	15778	33810	275.4	324	2200	<b>231/850</b>	<b>231/850 K</b>
	1360	500	12	19796	44100	229.5	270	2710	<b>241/850</b>	<b>241/850 K30</b>
<b>900</b>	1090	190	12	4567	14994	367.2	432	370	<b>248/900</b>	<b>248/900 K30</b>
	1180	206	12	7350	16660	344.25	405	605	<b>239/900</b>	<b>239/900 K</b>
	1280	280	12	9898	22736	306	360	1200	<b>230/900</b>	<b>230/900 K</b>
	1280	375	12	13328	33810	260.1	306	1570	<b>240/900</b>	<b>240/900 K30</b>
	1420	515	12	20972	48020	214.2	252	3350	<b>241/900</b>	<b>241/900 K30</b>
<b>950</b>	1250	224	12	7105	19208	328.95	387	755	<b>239/950</b>	<b>239/950 K</b>
	1250	300	12	9016	25480	260.1	306	1015	<b>249/950</b>	<b>249/950 K30</b>
	1360	300	12	11760	27930	290.7	342	1450	<b>230/950</b>	<b>230/950 K</b>
	1360	412	12	14504	38220	229.5	270	1990	<b>240/950</b>	<b>240/950 K30</b>
	1500	545	12	23422	53900	198.9	234	3535	<b>241/950</b>	<b>241/950 K30</b>

A richiesta disponibile con scanalatura circonferenziale a tre fori di lubrificazione sull'anello esterno.  
Under request available with circumferential groove and three lubrication noles in auter ring.

**CUSCINETTI ORIENTABILI A RULLI  
SELF-ALIGNING ROLLER BEARINGS**


Dimensioni (mm) Dimension (mm)				Coefficiente di carico (KN) Load rating (KN)		Velocità limite (giri/min) Speed limit (Rpm)		Peso (Kg) Weight (Kg)	Sigla Designation	
d (mm)	D (mm)	B (mm)	K (mm)	Dinamico Dynamic C	Statico Static C <sub>0</sub>	Lubrificazione Lubrication			Foro cilindrico Cylindrical bore	Foro Conico Tapered bore
						Grasso Grease	Olio Oil			
<b>1000</b>	1220	165	12	4567	14014	306	360	410	<b>238/1000</b>	<b>238/1000 K</b>
	1320	315	12	10192	28420	244.8	288	1200	<b>249/1000</b>	<b>249/1000 K30</b>
	1420	308	12	12446	29890	275.4	324	1600	<b>230/1000</b>	<b>230/1000 K</b>
	1420	412	12	15092	39690	214.2	252	2140	<b>240/1000</b>	<b>240/1000 K30</b>
	1580	462	12	20972	47040	214.2	252	3500	<b>231/1000</b>	<b>231/1000 K</b>
	1580	580	12	26166	60760	183.6	216	4300	<b>241/1000</b>	<b>241/1000 K30</b>
<b>1060</b>	1280	165	12	4674.6	14700	273.6	342	435	<b>238/1060</b>	<b>238/1060 K</b>
	1280	218	12	5978	19600	273.6	342	570	<b>248/1060</b>	<b>248/1060 K</b>
	1400	250	12	9359	25480	259.2	324	1100	<b>239/1060</b>	<b>239/1060 K</b>
	1400	335	12	11270	31850	201.6	252	1400	<b>249/1060</b>	<b>249/1060 K</b>
	1500	325	12	13524	33320	230.4	288	2250	<b>230/1060</b>	<b>230/1060 K</b>
	1500	438	12	16954	44590	187.2	234	2515	<b>240/1060</b>	<b>240/1060 K</b>
<b>1120</b>	1360	243	12	7105	23520	244.8	306	735	<b>248/1120</b>	<b>248/1120 K</b>
	1460	335	12	11466	33810	187.2	234	1500	<b>249/1120</b>	<b>249/1120 K</b>
	1580	462	12	18326	4900	172.8	216	2925	<b>240/1120</b>	<b>240/1120 K</b>
<b>1180</b>	1420	180	12	5752.6	18228	230.4	288	575	<b>238/1180</b>	<b>238/1180 K</b>
	1420	243	12	7555.8	26460	230.4	288	770	<b>248/1180</b>	<b>248/1180 K</b>
	1540	272	12	10878	30380	216	270	1400	<b>239/1180</b>	<b>239/1180 K</b>
	1540	355	12	13328	39690	172.8	216	1800	<b>249/1180</b>	<b>249/1180 K</b>
<b>1250</b>	1750	375	12	17542	44100	93.6	117	2840	<b>230/1250</b>	<b>230/1250 K</b>
<b>1320</b>	1600	280	12	9584.4	32830	187.2	234	1160	<b>248/1320</b>	<b>248/1320 K</b>
	1720	400	12	15778	48020	144	180	2500	<b>249/1320</b>	<b>249/1320 K</b>
<b>1500</b>	1820	315	12	12446	44100	144	180	1710	<b>248/1500</b>	<b>248/1500 K</b>
<b>1800</b>	2180	375	12	17248	61740	93.6	117	2900	<b>248/1800</b>	<b>248/1800 K</b>